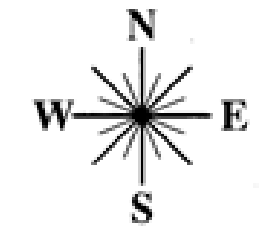


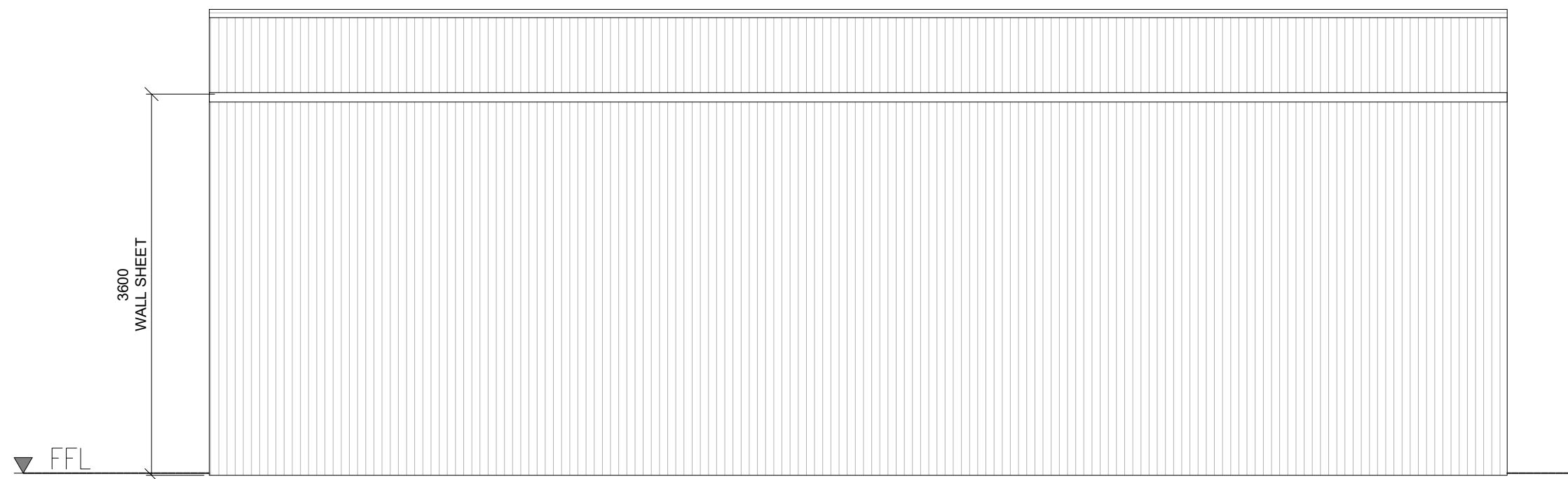
A  
01 ELEVATION A  
1:50



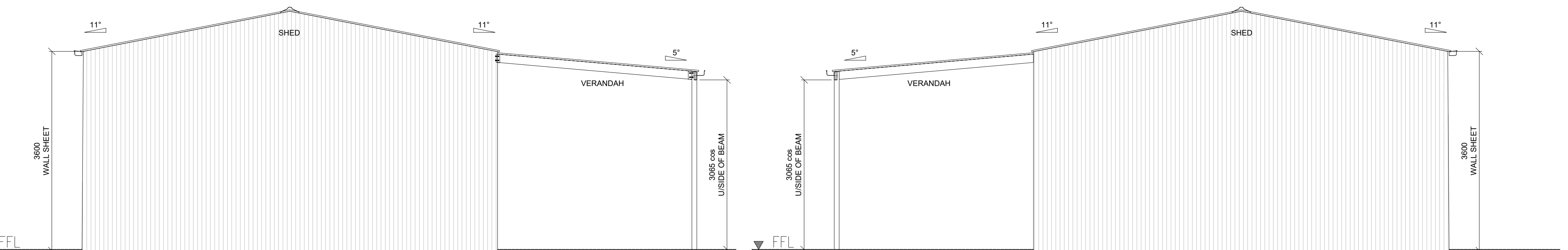
Central Darling Shire Council  
Approved by Council 14 September 2021

General Manager

NOTE:  
ACCESS DOORS / WINDOWS  
BY CLIENT



B  
01 ELEVATION B  
1:50



C  
01 ELEVATION C  
1:50

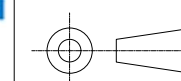
D  
01 ELEVATION D  
1:50

REV	DESCRIPTION	BY	DATE
A	ISSUED FOR APPROVAL	DM	08.12.20

FINISH: \_  
REFER TO SPECIFICATION DETAILS

**If in Doubt, ASK!**

**BARGAIN STEEL CENTRE**  
Lot 110 Heaslip Rd  
BURTON, SA 5110  
Phone: 82806000  
Fax: 82805689



NOTE:-  
1. DESIGN DRAWINGS ONLY. FOR STRUCTURAL LAYOUTS, DETAILS & ENGINEERING, SEE OTHERS.  
2. ALL SITE & PROPOSED STRUCTURE INFORMATION & MEASUREMENTS PROVIDED BY BARGAIN STEEL CENTRE AT DATE SHOWN - SUBJECT TO CONFIRMATION BY BARGAIN STEEL CENTRE & FINAL MEASURE ON SITE PRIOR TO CONSTRUCTION.  
3. DO NOT SCALE

GENERAL NOTES  
CHECKED: BSC  
DRAWN: DM  
SCALE: NTS

CLIENT: SYMOND'S STEEL
PROJECT: GABLE SHED + VERANDAH
LOCATION: 173 - 175 HARRIS STREET, BROKEN HILL, NSW
TITLE: ELEVATIONS
JOB No. 9169
DWG No. 11
REV. A