



# Certificate of Accreditation

## Sewage Management Facility

### Septic Tanks & Collection Wells

*This Certificate of Accreditation is issued by the Secretary of the NSW Ministry of Health pursuant to Clause 41(1) of the Local Government (General) Regulation 2005.*

**Manufacturer:** *Polymaster Pty Ltd*

**Of:** *161 Karinie St, Swan Hill, VIC, 3585*

*The Septic Tanks as described in the following Schedule have been accredited as sewage management facilities for use in single domestic premises in NSW.*



*A/Director, Environmental Health  
for Secretary (delegation PH335)*

**Issued:** *10 / 11 / 20 21*  
**Certificate No:** *STCW 020*  
**Expires:** *31 December 2026*

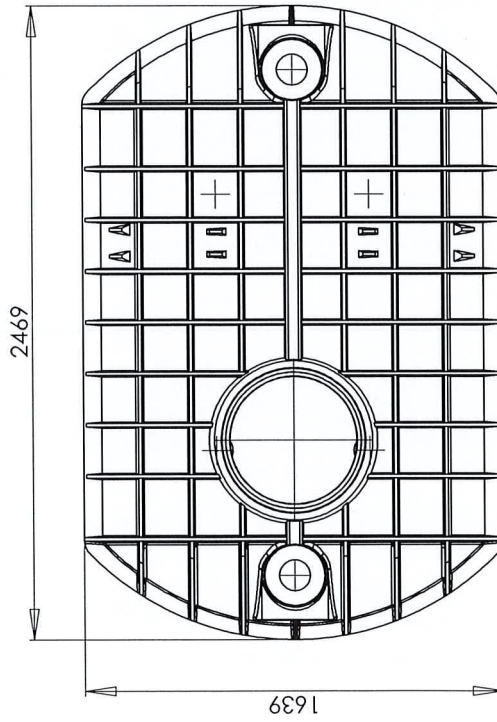
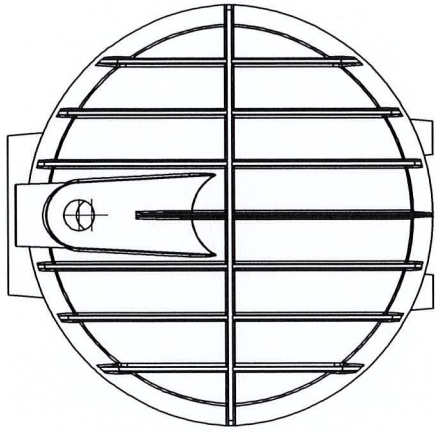
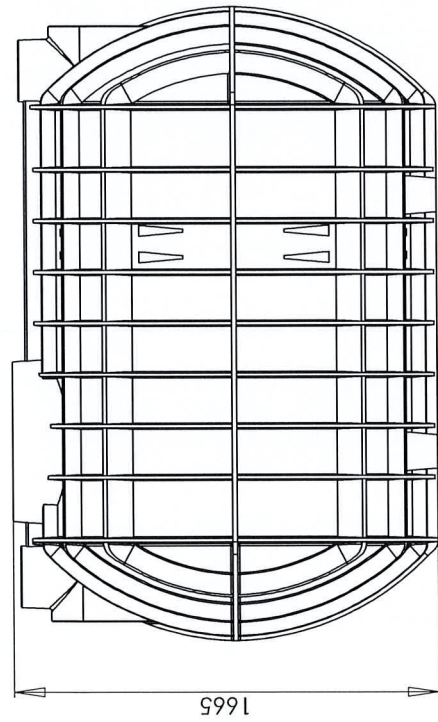


## ***Accreditation Schedule***

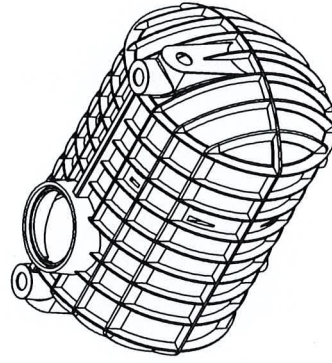
*The Certificate of Accreditation applies to the following  
Septic Tanks and Collection Wells*

Model	Description	Size
Septic Tanks	<p>Horizontal axis type, cylindrical rotomoulded polyethylene vessels with partition wall</p> <p>Certification applies only to the construction of the tank, lid, access cover and inlet fitting. It includes the internal fittings or partitions.</p> <p>A certified riser is available</p>	<p>3100 L Capacity 4550 L Capacity</p>
Collection Wells	<p>Horizontal axis type, cylindrical rotomoulded polyethylene vessels</p> <p>Certification applies only to the construction of the tank, lid, access cover and inlet fitting. It does not include the internal fittings or partitions.</p> <p>A certified riser is available</p>	<p>3300 L Capacity 5000 L Capacity</p>


*These vessels are manufactured at separate facilities at Stawell and Swan Hill, Victoria. A Product Certification Certificate applies to each facility.*



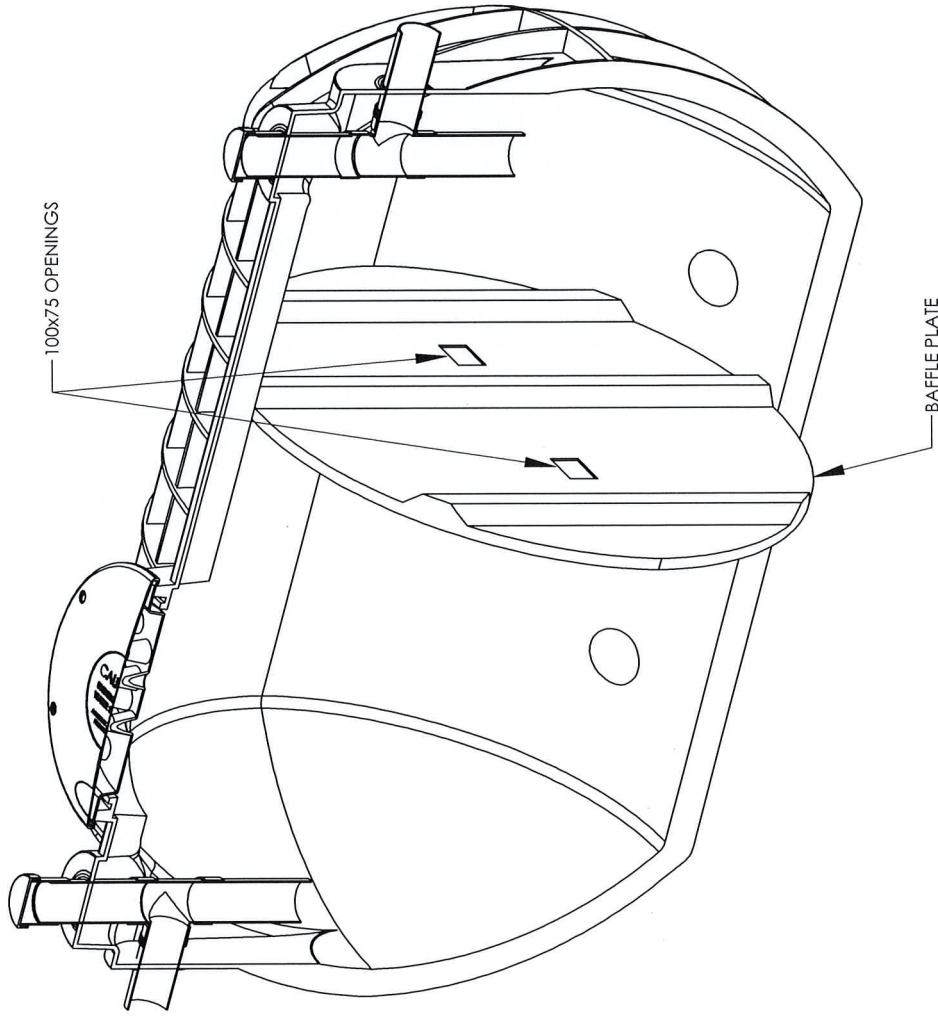
ISOMETRIC VIEW  
SCALE: 1:35



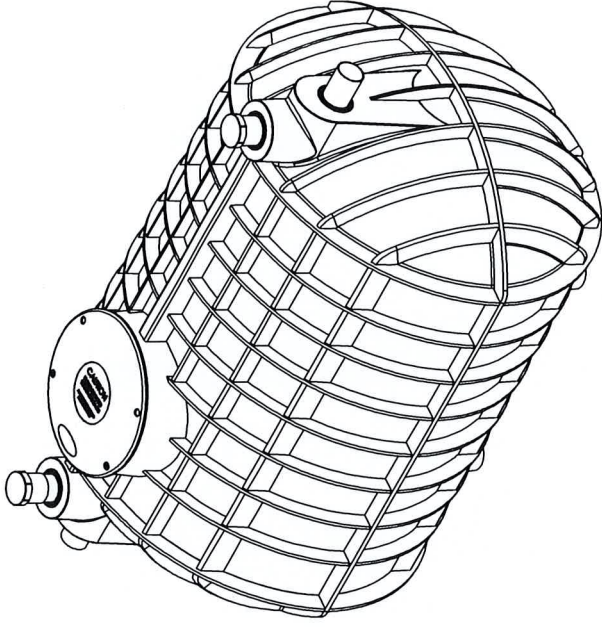
**ACCREDITED**  
10 NOV 2021  
NSW MINISTRY OF HEALTH

© POLYMASTER GROUP		DO NOT SCALE. USE DIMENSIONS. ALL DIMENSIONS ARE IN mm		ALL TOLERANCES UNLESS OTHERWISE STATED ±10mm / ±1°	
		<b>CLIENT</b> POLYMASTER		CLIENT APPROVAL	
		SUB TITLE SEPTIC TANK - 3100L		NAME	
SCALE: 1:20		ORDER NO.		MATERIAL LLDPE	
ON A3		DRAWING NO. 10129-02-01		SIGNATURE	
DATE		PARTICULARS		CONTENTS -	
REV/DRAWN		DATE		WEIGHT -	
				UGT BLACK	
				TANK COLOUR	
				SG -	
				DRAWN MB	
				05-Mar-18	
				REV: X	

**TRIMETRIC VIEW**  
(TANK IS SECTIONED TO SHOW BAFFLE)

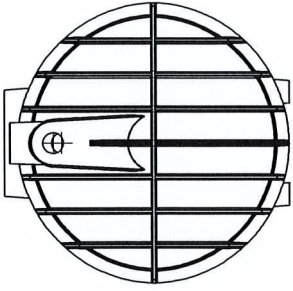
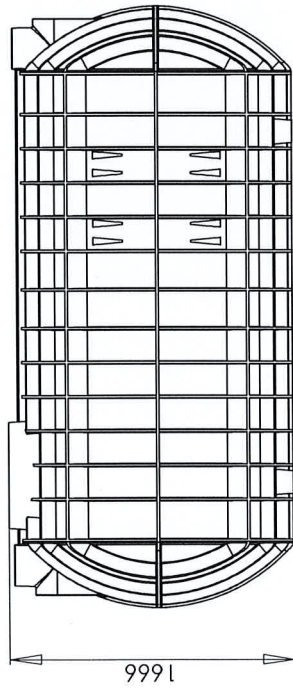


ISOMETRIC VIEW  
1:20

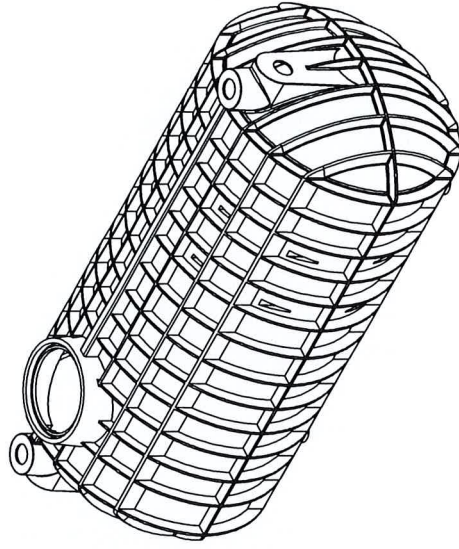


**ACCREDITED**  
10 NOV 2021  
NSW MINISTRY OF HEALTH

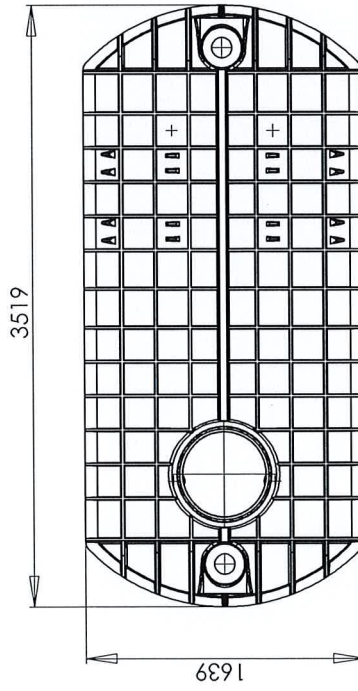
© POLYMASTER GROUP		DO NOT SCALE. USE DIMENSIONS. ALL DIMENSIONS ARE IN mm		ALL TOLERANCES UNLESS OTHERWISE STATED ±10mm / ±1°	
<b>Polymaster Group</b>		<b>CLIENT POLYMASTER</b>		SEPTIC TANK	CLIENT APPROVAL
SCALE: 1:12		SUB TITLE SEPTIC TANK 3100L		COLOUR BLACK	NAME
ON A3		ORDER NO. N/A		MATERIAL LLDPE	SIGNATURE
17-Apr-18 FOR REFERENCE		DRAWING NO. 10129-01-01 - BAFFLE		CONTENTS -	DATE
REV	DRAWN	DATE	PARTICULARS	WEIGHT -	DRAWN
A	MB				
					1 Rev.A




ISOMETRIC VIEW



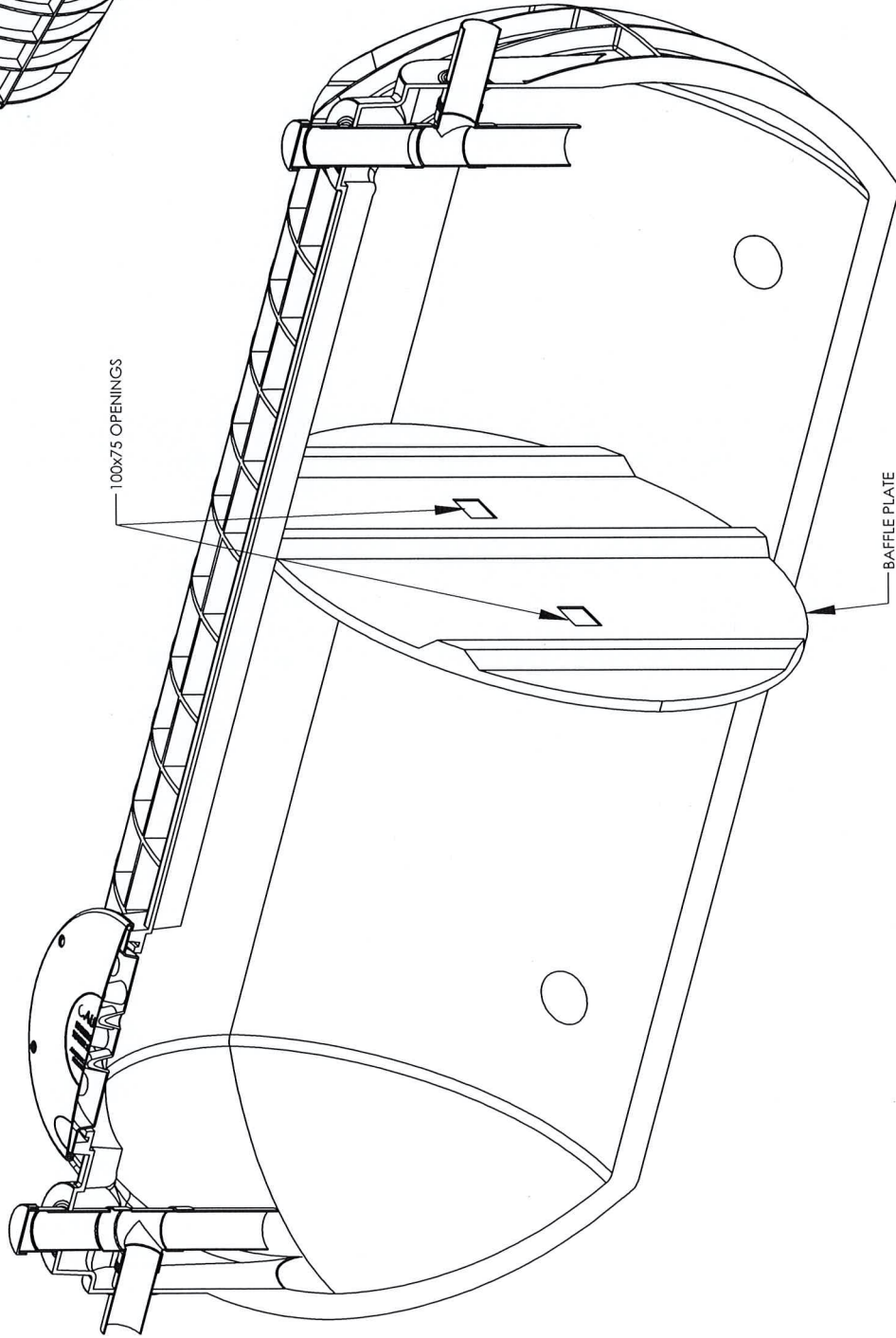
**ACCREDITED**  
 10 NOV 2021  
 NSW MINISTRY OF HEALTH



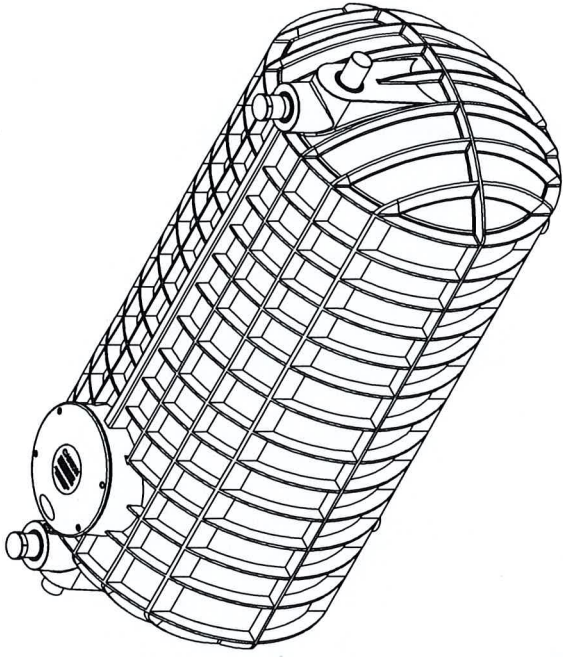
© POLYMASTER GROUP		DO NOT SCALE; USE DIMENSIONS. ALL DIMENSIONS ARE IN mm		ALL TOLERANCES UNLESS OTHERWISE STATED ±10mm / ±1°	
	<b>CLIENT</b>	<b>POLYMASTER</b>	TANK	UGT	CLIENT APPROVAL
	SUB TITLE	SEPTIC TANK - 4550L	COLOUR	BLACK	NAME
SCALE:	ORDER NO.		MATERIAL	LLDPE	SIGNATURE
1:30	DRAWING NO. 10130-02-01		CONTENTS	-	DATE
ON A3			WEIGHT	-	DRAWN MB
REV/DRAWN	DATE	PARTICULARS			05-Mar-18
					1
					Rev: X

# TRIMETRIC VIEW

(TANK IS SECTIONED TO SHOW BAFFLE)

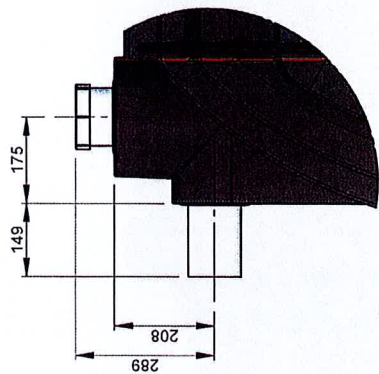
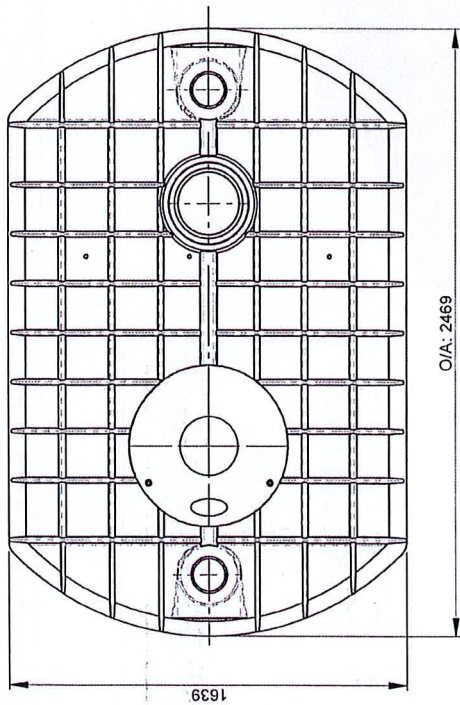


ISOMETRIC VIEW  
1:25



**ACCREDITED**  
10 NOV 2021  
NSW MINISTRY OF HEALTH

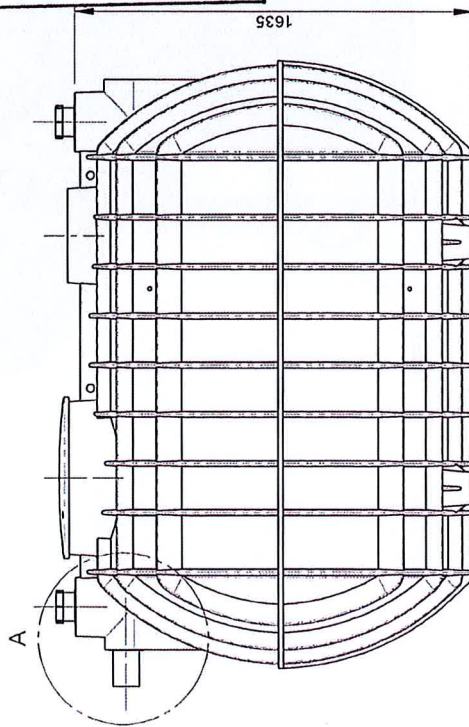
		@ POLYMASTER GROUP		DO NOT SCALE. USE DIMENSIONS. ALL DIMENSIONS ARE IN mm		ALL TOLERANCES UNLESS OTHERWISE STATED ±10mm / ±1°		CLIENT APPROVAL	
		<b>Polymaster Group</b>		<b>CLIENT POLYMASTER</b>		TANK		SEPTIC	
		SCALE: 1:12 ON A3		SUB TITLE SEPTIC TANK 4550L		COLOUR BLACK		BLACK	
		ORDER NO. N/A		DRAWING NO. 10130-01-01 - BAFFLE		MATERIAL LLDPE		NAME	
		DRAWING NO. 10130-01-01 - BAFFLE				CONTENTS -		SIGNATURE	
						WEIGHT		DATE	
A		17-Apr-18 FOR REFERENCE						DRAWN	
REV		DATE		PARTICULARS				MB	
								17-Apr-18	
								1	
								Rev: A	



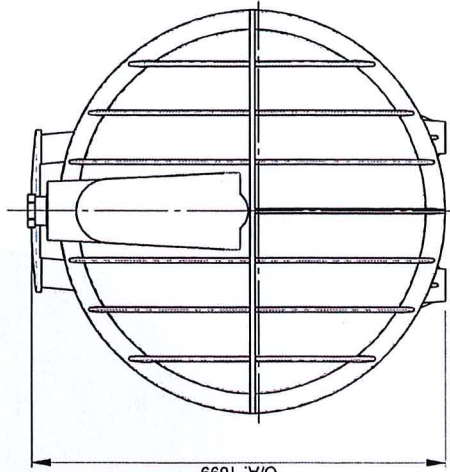
DETAIL A  
SCALE 1 : 10



ISOMETRIC VIEW  
SCALE 1 : 30



**ACCREDITED**  
10 NOV 2021  
NSW MINISTRY OF HEALTH



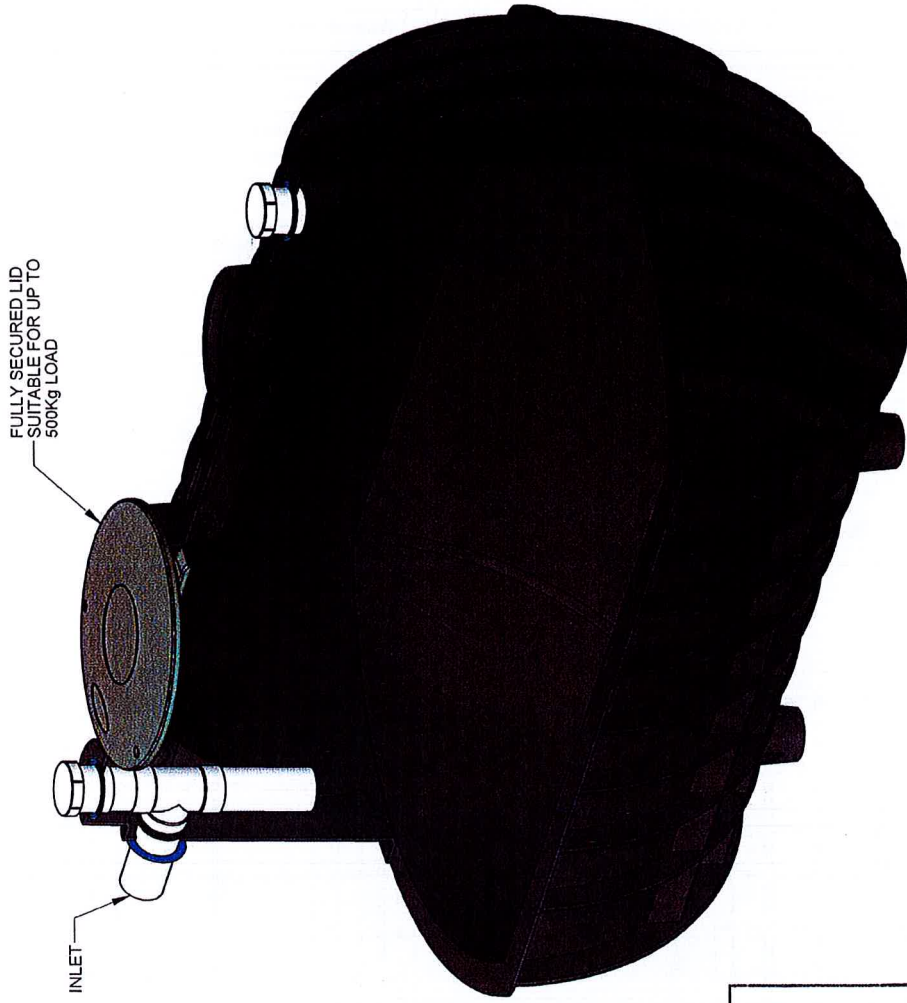
NOTE: ALL TOLERANCES UNLESS OTHERWISE STATED  $\pm 10\text{mm} / \pm 1^\circ$   
DO NOT SCALE; USE DIMENSIONS. ALL DIMENSIONS ARE IN mm  
This drawing is the property of Polymaster Group Pty. Ltd. It cannot be copied in part or in full without the written permission of Polymaster Group Pty. Ltd.



161 KARINIE STREET  
SWAN HILL, VIC.  
3585  
Ph: (03) 5033 9000  
Fx: (03) 5033 0224

DESCRIPTION	COLLECTION WELL 3300
PRODUCT CODE	CW3300
MATERIAL	LLDPE 7032
COLOUR	BLACK
© POLYMASTER GROUP	

SCALE: 1:20	
<b>A3</b>	
SHEET SIZE	TG
2/09/2021	2/2
Rev.A	



**ACCREDITED**  
 10 NOV 2021  
 NSW MINISTRY OF HEALTH

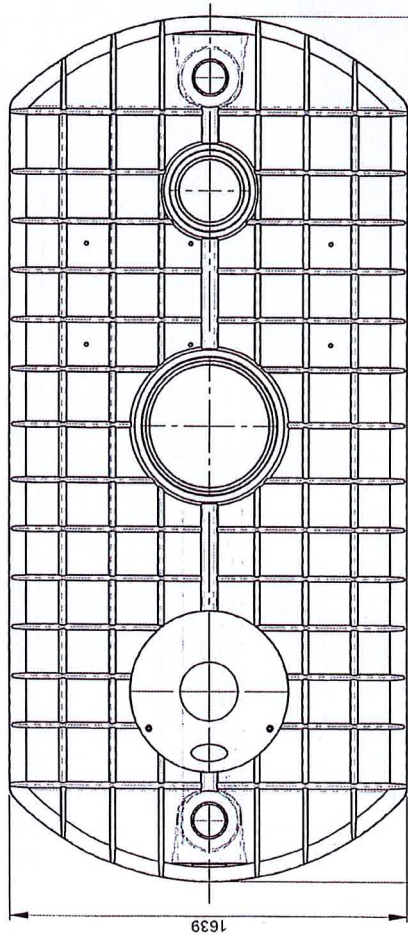
NOTE: ALL TOLERANCES UNLESS OTHERWISE STATED  $\pm 10\text{mm} / \pm 1"$   
 DO NOT SCALE, USE DIMENSIONS. ALL DIMENSIONS ARE IN mm  
 This drawing is the property of Polymaster Group Pty. Ltd. It cannot be copied  
 in part or in full without the written permission of Polymaster Group Pty. Ltd.

161 KARINIE STREET  
 SWAN HILL, VIC.  
 3585  
 Ph: (03) 5033 9000  
 Fx: (03) 5033 0224



DESCRIPTION	COLLECTION WELL 3300	SCALE: 1:12
PRODUCT CODE	CW3300	
MATERIAL	LLDPE7032	
COLOUR	BLACK	
© POLYMASTER GROUP		SHEET SIZE <b>A3</b> DRAWN TG 2/09/2021 1/2 Rev.A





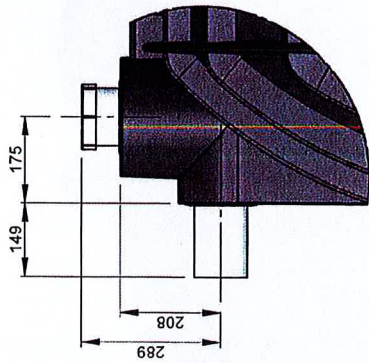
**ACCREDITED**

10 NOV 2021

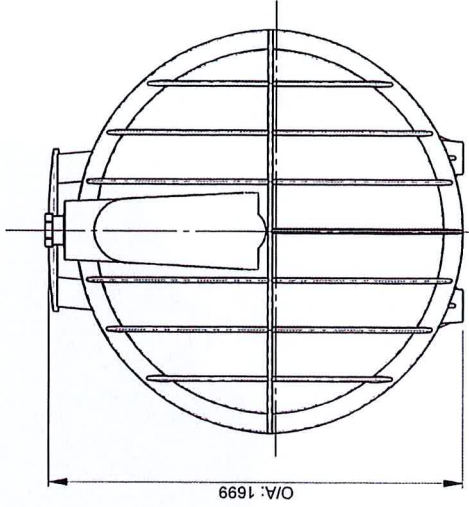
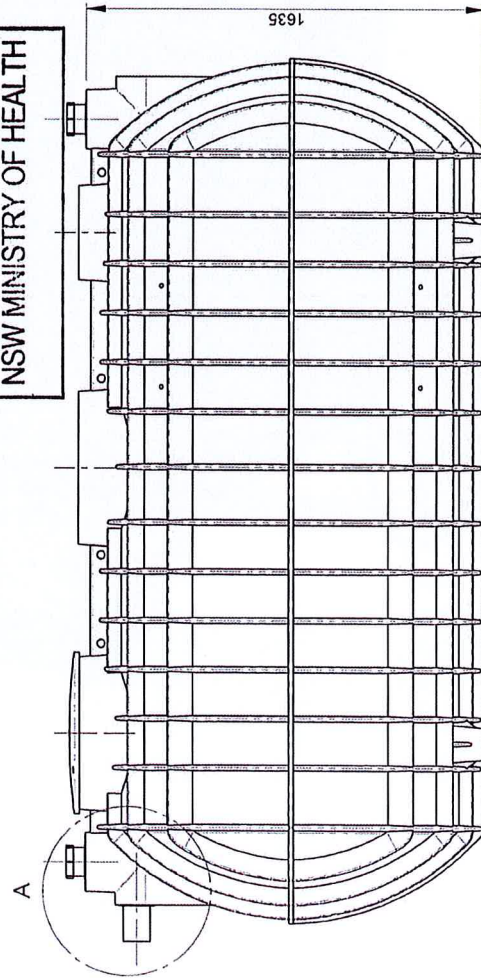
NSW MINISTRY OF HEALTH



ISOMETRIC VIEW  
SCALE 1 : 30



DETAIL A  
SCALE 1 : 10

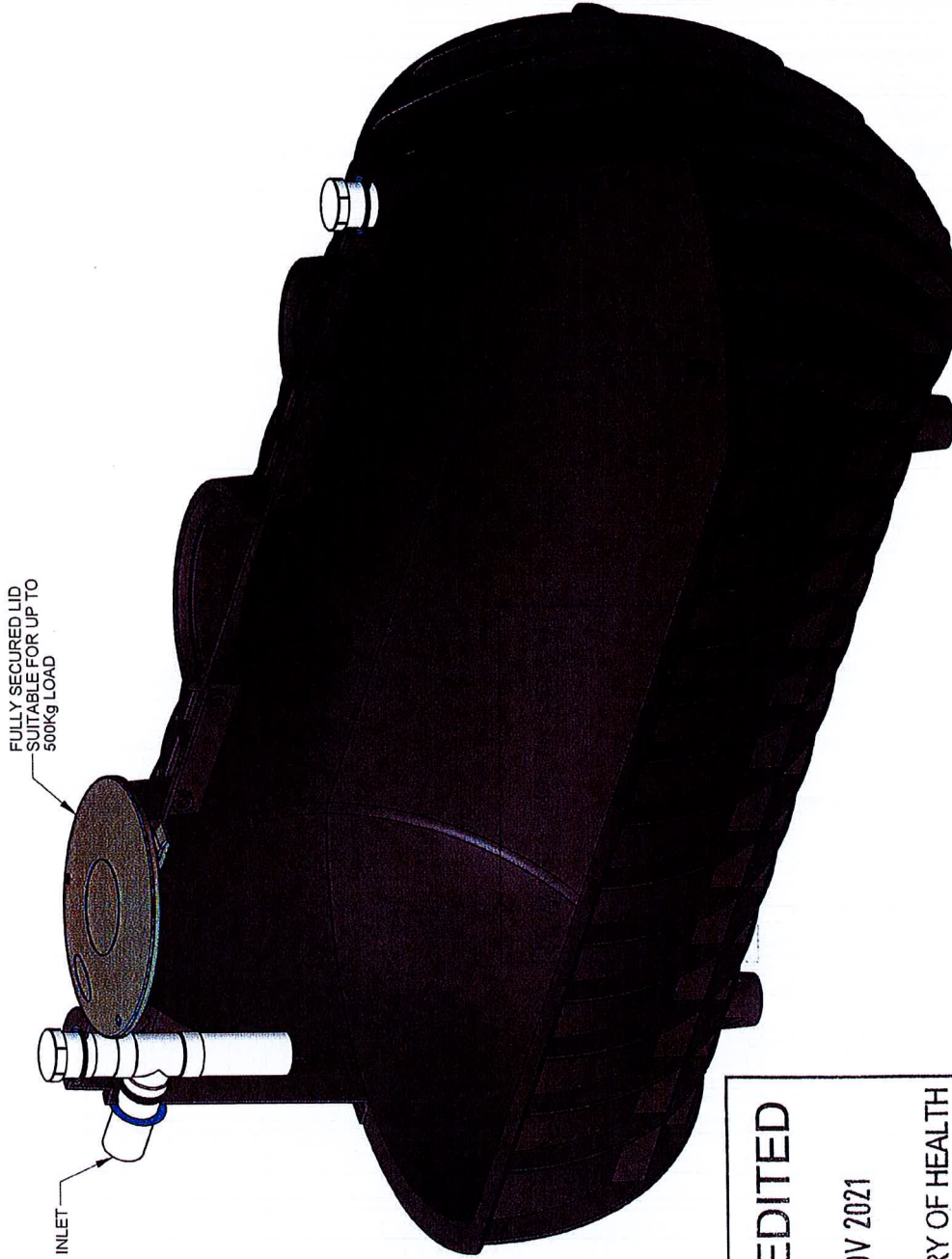


NOTE: ALL TOLERANCES UNLESS OTHERWISE STATED  $\pm 10\text{mm} / \pm 1^{\circ}$   
DO NOT SCALE. USE DIMENSIONS. ALL DIMENSIONS ARE IN mm  
This drawing is the property of Polymaster Group Pty. Ltd. It cannot be copied  
in part or in full without the written permission of Polymaster Group Pty. Ltd.



161 KARINIE STREET  
SWAN HILL, VIC.  
3585  
Ph: (03) 5033 9000  
Fx: (03) 5033 0224


DESCRIPTION	COLLECTION WELL 5000	SCALE: 1:20
PRODUCT CODE	CW5000	
MATERIAL	LLDPE 7032	
COLOUR	BLACK	
© POLYMASTER GROUP		2/09/2021 2/2 Rev.A
DRAWN		TG
SHEET SIZE		A3



**ACCREDITED**  
 10 NOV 2021  
 NSW MINISTRY OF HEALTH

NOTE: ALL TOLERANCES UNLESS OTHERWISE STATED  $\pm 10\text{mm} / \pm 1^{\circ}$   
 DO NOT SCALE; USE DIMENSIONS. ALL DIMENSIONS ARE IN mm  
 This drawing is the property of Polymaster Group Pty. Ltd. It cannot be copied  
 in part or in full without the written permission of Polymaster Group Pty. Ltd.

  
 161 KARINIE STREET  
 SWAN HILL. VIC.  
 3685  
 Ph: (03) 5033 9000  
 Fx: (03) 5033 0224

DESCRIPTION	COLLECTION WELL - 5000	SCALE: 1:12
PRODUCT CODE	CW5000	 1/2 Rev.A
MATERIAL	LLDPE7032	
COLOUR	BLACK	
© POLYMASTER GROUP		SHEET SIZE <b>A3</b> DRAWN TG 2/09/2021