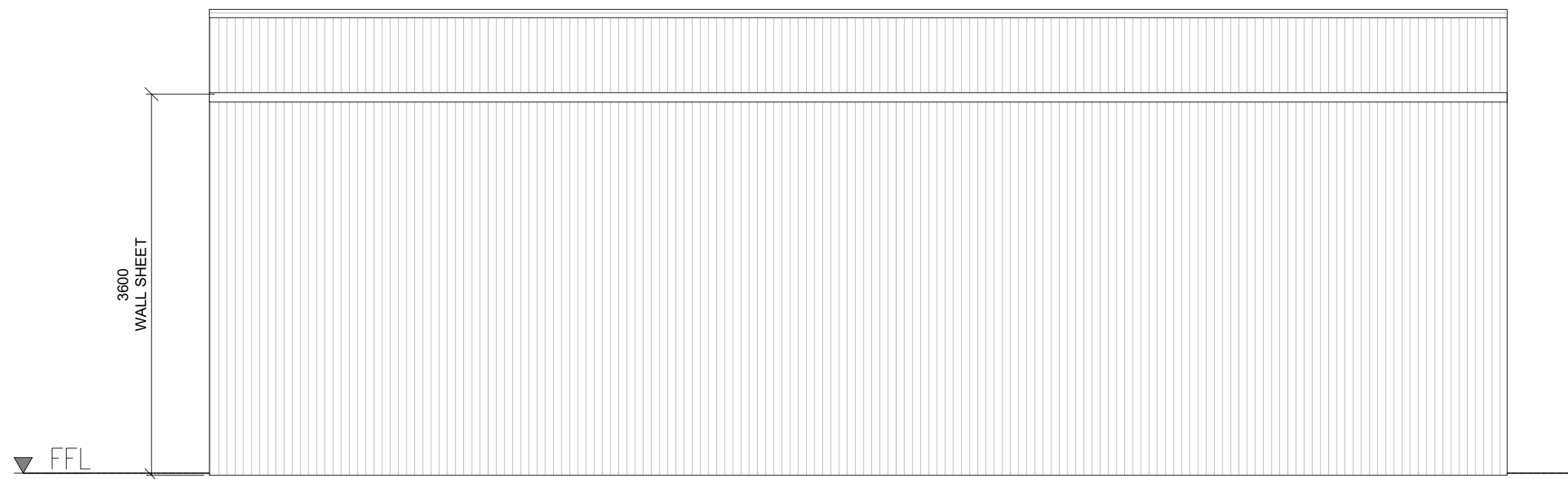
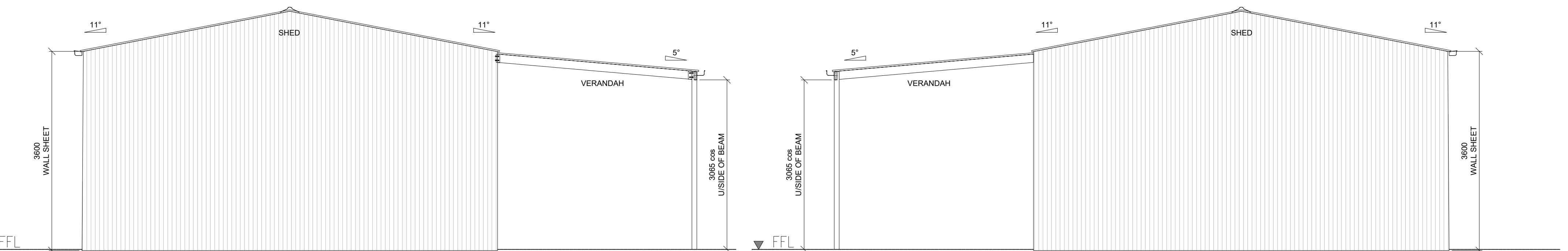


A  
01 ELEVATION A  
1:50

NOTE:  
ACCESS DOORS / WINDOWS  
BY CLIENT



B  
01 ELEVATION B  
1:50



C  
01 ELEVATION C  
1:50

D  
01 ELEVATION D  
1:50

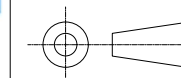
REV	DESCRIPTION	BY	DATE
A	ISSUED FOR APPROVAL	DM	08.12.20

FINISH: —  
REFER TO SPECIFICATION DETAILS

*If in Doubt, ASK!*



**BARGAIN STEEL CENTRE**  
.COM.AU  
Lot 110 Heaslip Rd  
BURTON, SA 5110  
Phone: 82806000  
Fax: 82805689



NOTE:-  
1. DESIGN DRAWINGS ONLY. FOR STRUCTURAL LAYOUTS, DETAILS & ENGINEERING, SEE OTHERS.  
2. ALL SITE & PROPOSED STRUCTURE INFORMATION & MEASUREMENTS PROVIDED BY BARGAIN STEEL CENTRE AT DATE SHOWN - SUBJECT TO CONFIRMATION BY BARGAIN STEEL CENTRE & FINAL MEASURE ON SITE PRIOR TO CONSTRUCTION.  
3. DO NOT SCALE. © Copyright

GENERAL NOTES

CHECKED: BSC	DRAWN: DM	SCALE: NTS	JOB No: 9169	DWG No: 11	REV: A
--------------	-----------	------------	--------------	------------	--------

CLIENT: SYMOND'S STEEL
PROJECT: GABLE SHED + VERANDAH
LOCATION: 173 - 175 HARRIS STREET, BROKEN HILL. NSW
TITLE: ELEVATIONS