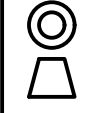
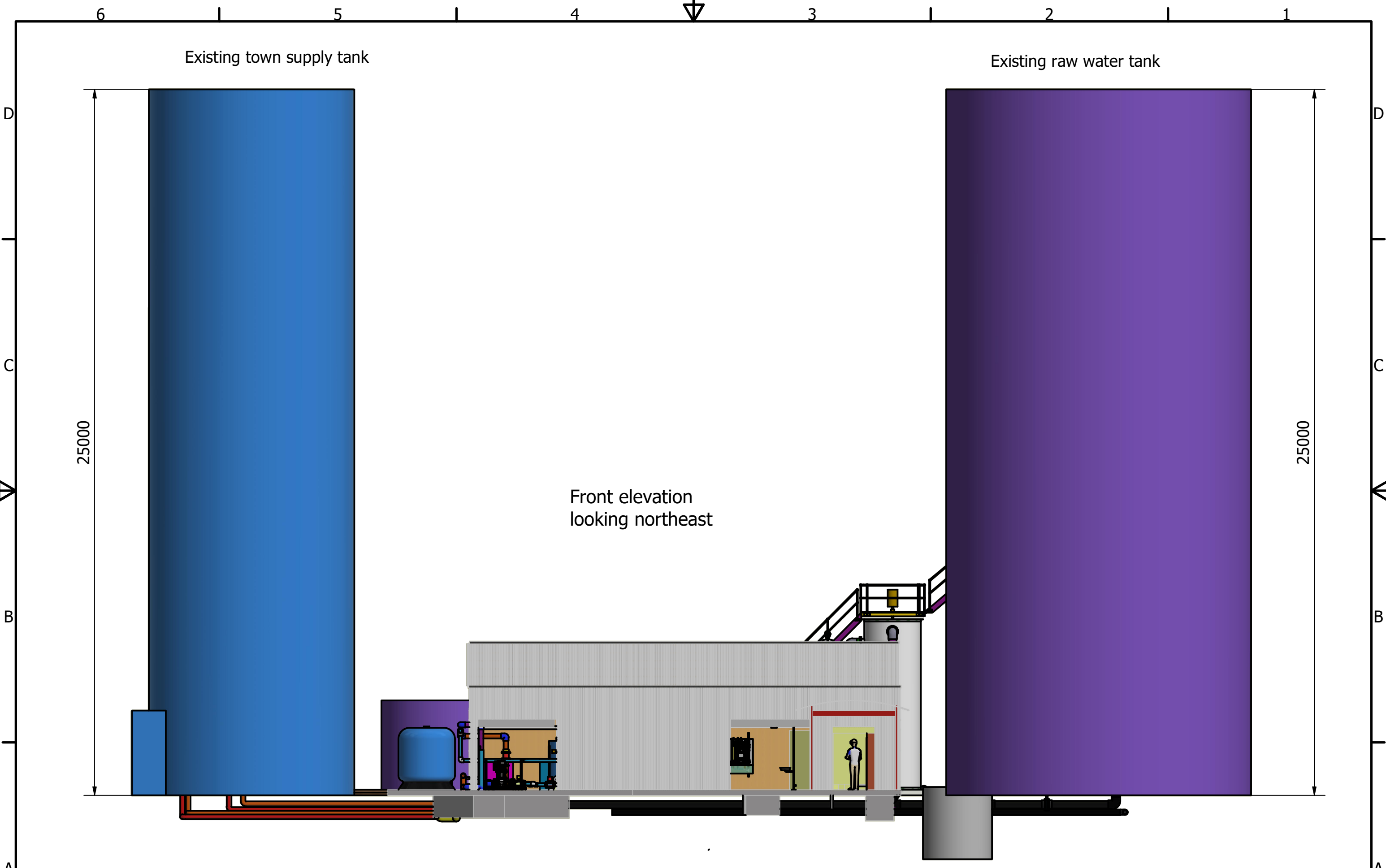
 <small>membranesystems.com.au</small>	<small>THIRD ANGLE PROJECTION</small>  <small>AS1100</small>	<small>COPYRIGHT RESERVED THE DESIGN AND DETAIL OF THIS DRAWING IS THE PROPERTY OF MEMBRANE SYSTEMS AUSTRALIA AND MUST BE RETURNED ON DEMAND. IT IS ISSUED ON THE STRICT CONDITION THAT WITHOUT WRITTEN PERMISSION IT MUST NOT BE REPRODUCED, COPIED OR COMMUNICATED TO ANY THIRD PARTY NOR BE USED FOR ANY PURPOSE OTHER THAN THAT STATED IN THE PARTICULAR ENQUIRY, ORDER OR CONTRACT WITH WHICH IT IS ISSUED. THE RESERVATION OF COPYRIGHT IN THIS DOCUMENT EXTENDS FROM EACH DATE APPEARING THERE ON AND IN RESPECT OF THE SUBJECT MATTER AS IT APPEARED AT THE RELEVANT DATE.</small>	<small>REVISIONS</small> <table border="1" style="width:100%; border-collapse: collapse;"> <tr><td style="width:5%;"> </td><td style="width:5%;"> </td><td style="width:5%;"> </td><td style="width:5%;"> </td><td style="width:5%;"> </td><td style="width:5%;"> </td></tr> <tr><td style="width:5%;"> </td><td style="width:5%;"> </td><td style="width:5%;"> </td><td style="width:5%;"> </td><td style="width:5%;"> </td><td style="width:5%;"> </td></tr> </table>													<table border="1" style="width:100%; border-collapse: collapse;"> <tr><td style="width:50%;">Inventor File</td><td style="width:50%;">DO NOT SCALE - IF IN DOUBT ASK</td></tr> <tr><td>UNSPECIFIED TOL.s</td><td>DRAWING No.</td></tr> <tr><td>DIMENSIONS SHOWN</td><td>JOB No. 2559</td></tr> <tr><td>00 ± 1.5</td><td>DATE 25/11/2021</td></tr> <tr><td>00.0 ± 0.5</td><td>DRAWN MarkN</td></tr> <tr><td>00.00 ± 0.15</td><td>CHECKED SG</td></tr> <tr><td> </td><td>REVISION No. A</td></tr> <tr><td> </td><td>SHEET SIZE</td></tr> </table>	Inventor File	DO NOT SCALE - IF IN DOUBT ASK	UNSPECIFIED TOL.s	DRAWING No.	DIMENSIONS SHOWN	JOB No. 2559	00 ± 1.5	DATE 25/11/2021	00.0 ± 0.5	DRAWN MarkN	00.00 ± 0.15	CHECKED SG		REVISION No. A		SHEET SIZE	<small>CLIENT</small> Central Darling Shire <small>TITLE</small> Wilcannia Plant Layout_Hazop
	Inventor File	DO NOT SCALE - IF IN DOUBT ASK																															
UNSPECIFIED TOL.s	DRAWING No.																																
DIMENSIONS SHOWN	JOB No. 2559																																
00 ± 1.5	DATE 25/11/2021																																
00.0 ± 0.5	DRAWN MarkN																																
00.00 ± 0.15	CHECKED SG																																
	REVISION No. A																																
	SHEET SIZE																																



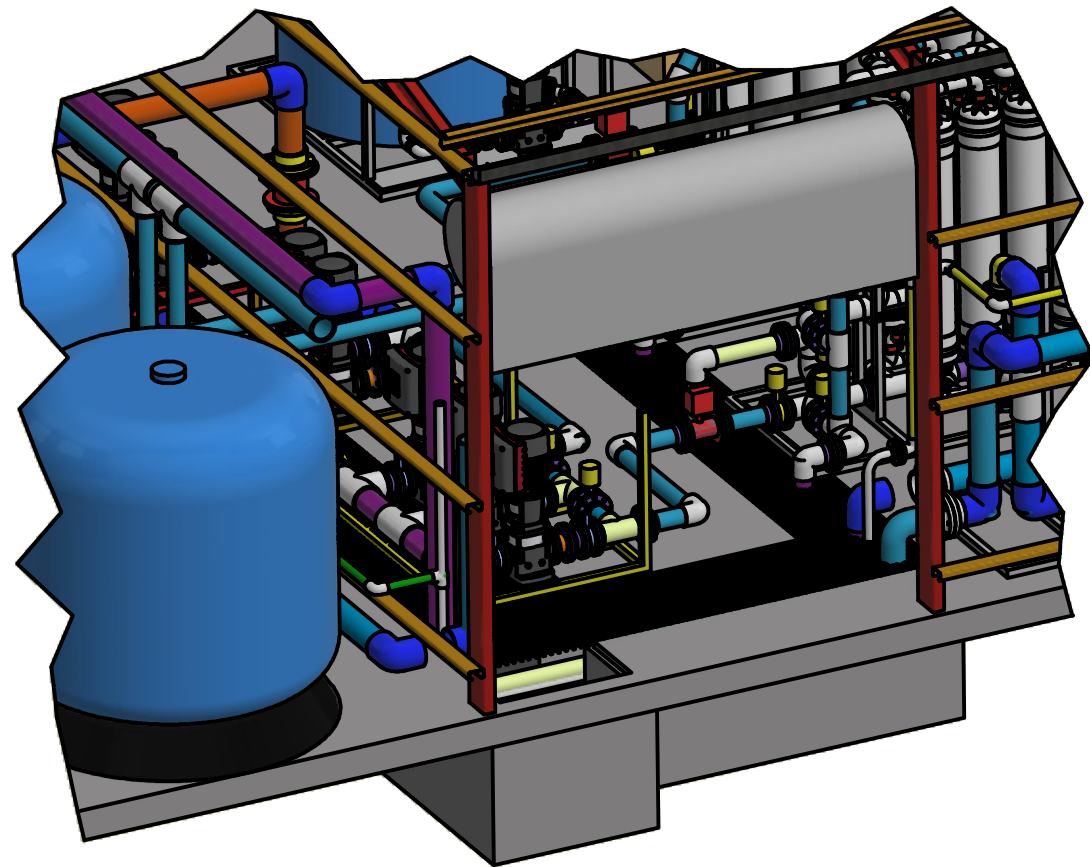
COPYRIGHT RESERVED
 THE DESIGN AND DETAIL OF THIS DRAWING IS THE PROPERTY OF MEMBRANE SYSTEMS AUSTRALIA AND MUST BE RETURNED ON DEMAND.
 IT IS ISSUED ON THE STRICT CONDITION THAT WITHOUT WRITTEN PERMISSION IT MUST NOT BE REPRODUCED, COPIED OR COMMUNICATED TO ANY THIRD PARTY NOR BE USED FOR ANY PURPOSE OTHER THAN THAT STATED IN THE PARTICULAR ENQUIRY, ORDER OR CONTRACT WITH WHICH IT IS ISSUED. THE RESERVATION OF COPYRIGHT IN THIS DOCUMENT EXTENDS FROM EACH DATE APPEARING THERE ON AND IN RESPECT OF THE SUBJECT MATTER AS IT APPEARED AT THE RELEVANT DATE.

Rev	Description	Date

Inventor File		DO NOT SCALE - IF IN DOUBT ASK	
UNSPECIFIED TOL.s	DRAWING No.		
DIMENSIONS SHOWN	JOB No.	2559	DATE 25/11/2021
00 ± 1.5	DRAWN	MarkN	CHECKED SG
00.0 ± 0.5	SCALE		REVISION No
00.00 ± 0.15			A SHEET SIZE

CLIENT	Central Darling Shire		
TITLE	Wilcannia Plant Layout_Hazop		

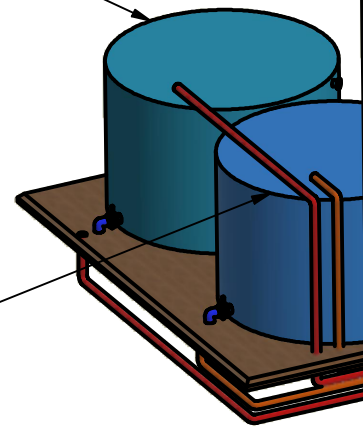
REVISIONS



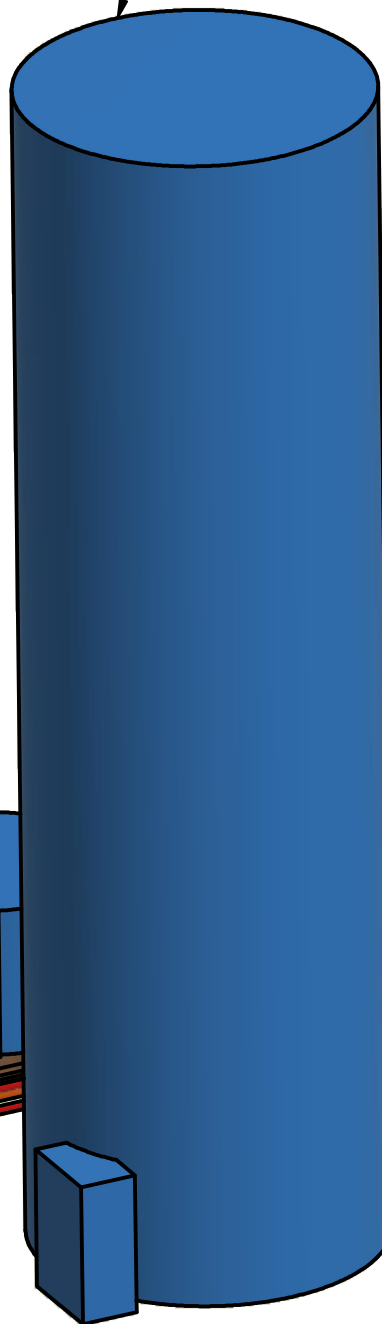
Detail (C)

Clearwater tank

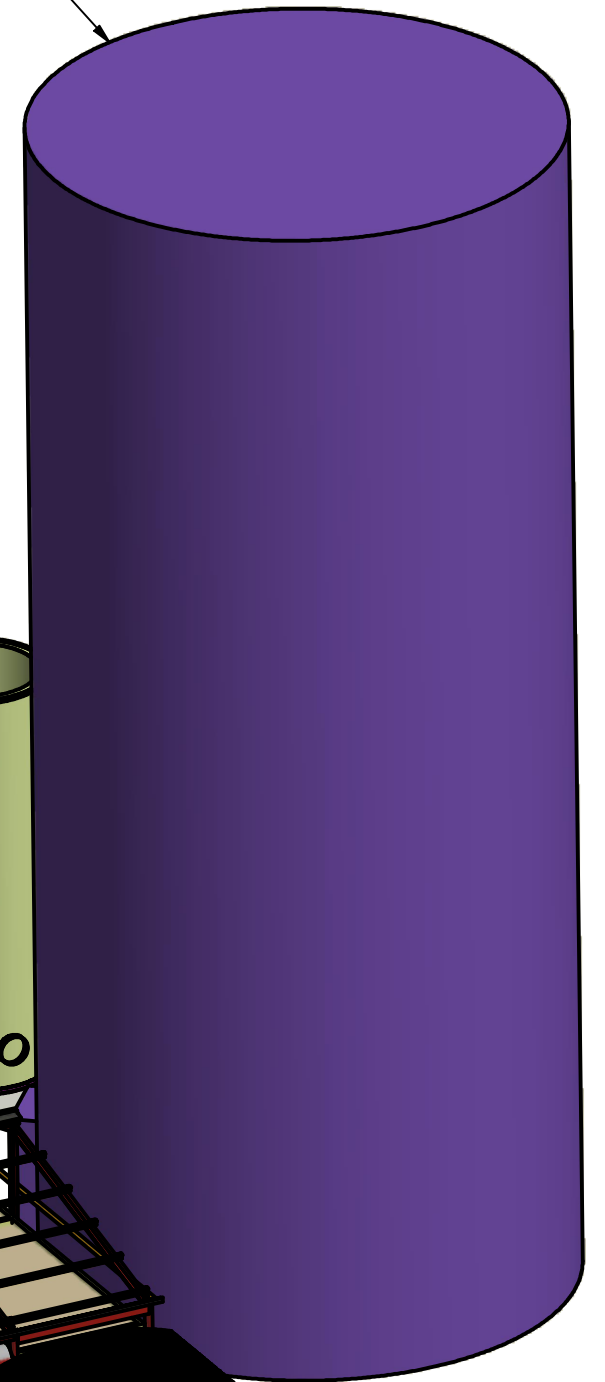
Process water tank



Existing treated water tank

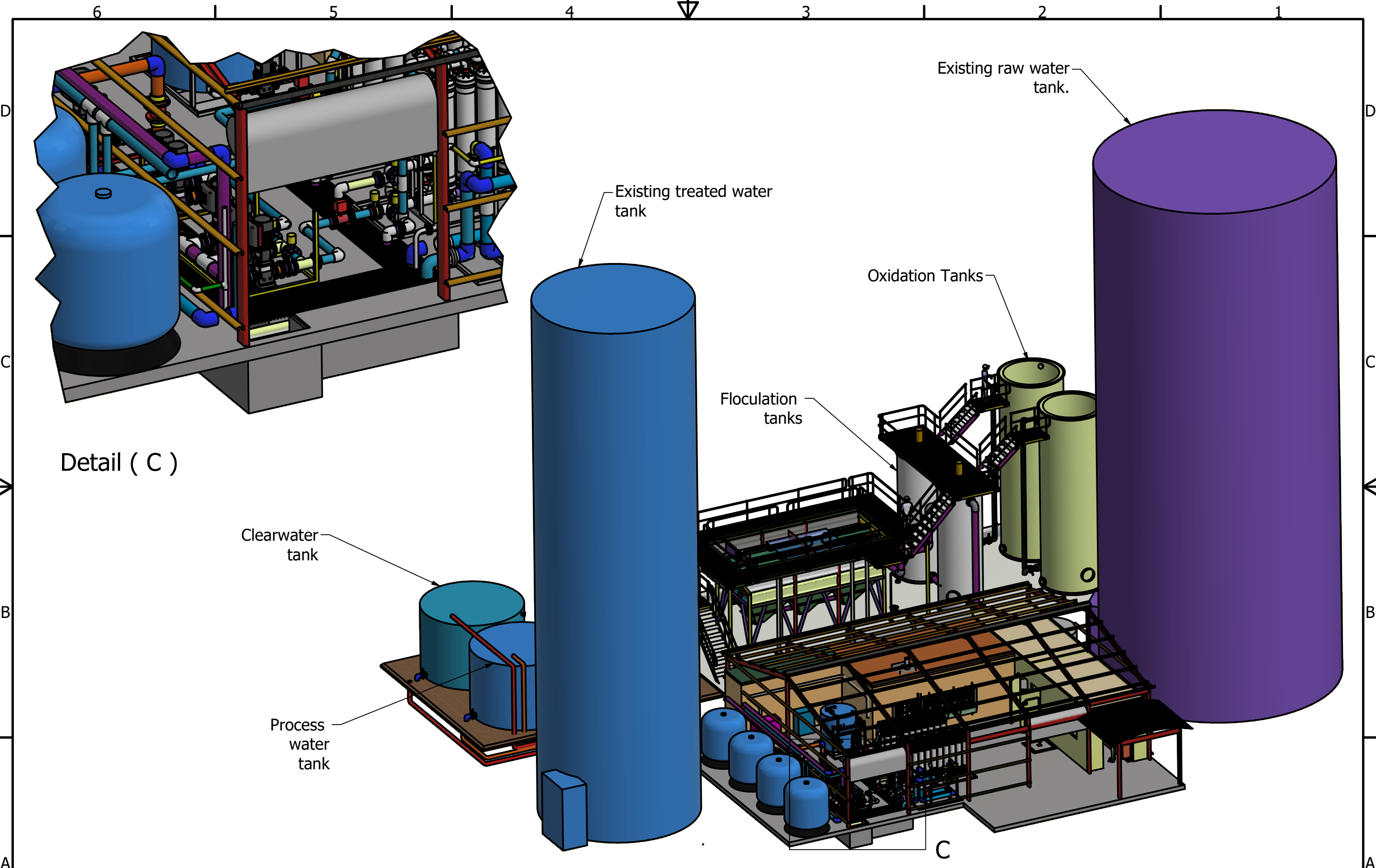
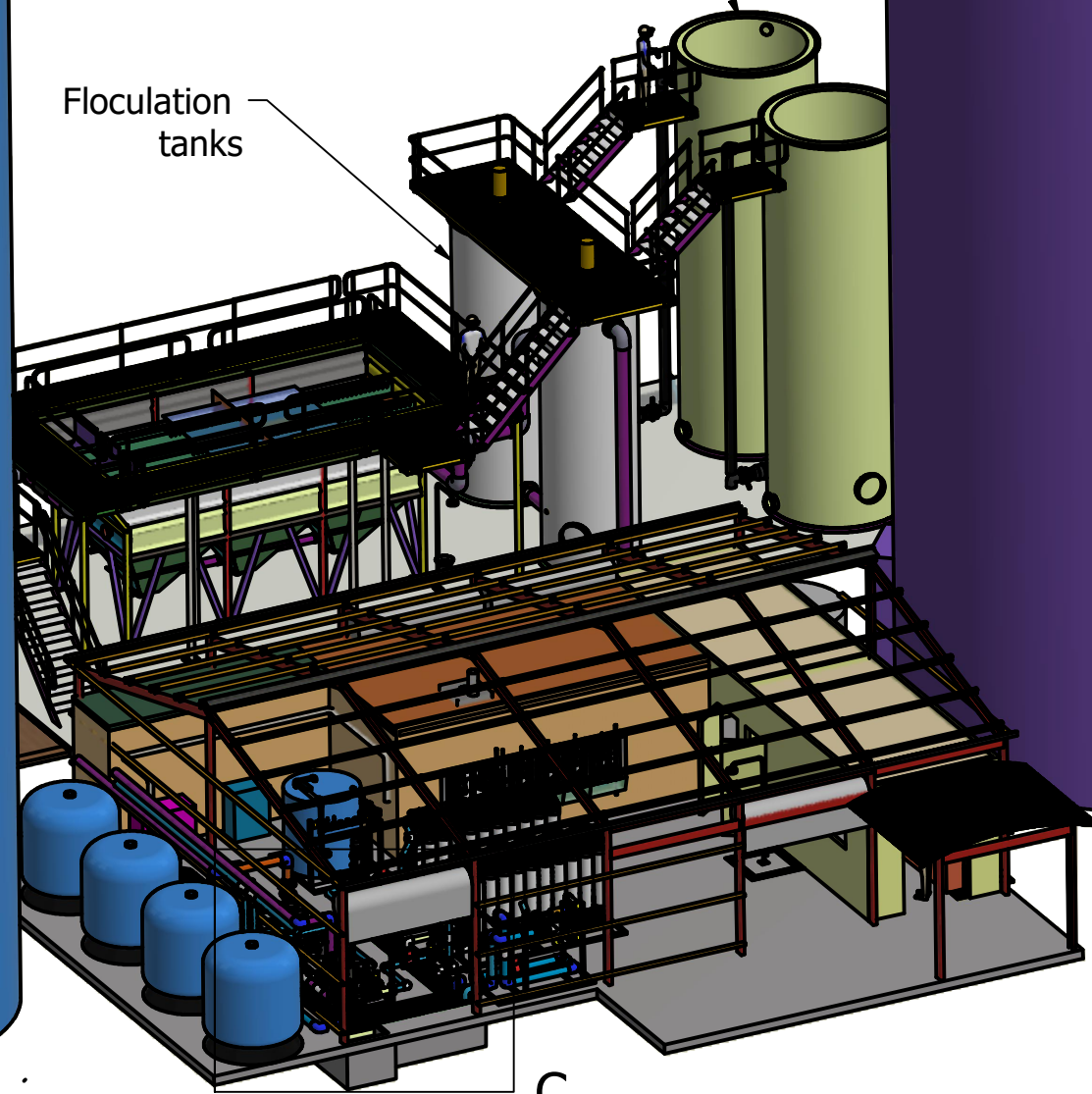


Existing raw water tank.



Oxidation Tanks

Floculation tanks



COPYRIGHT RESERVED
 THE DESIGN AND DETAIL OF THIS DRAWING IS THE PROPERTY OF MEMBRANE SYSTEMS AUSTRALIA AND MUST BE RETURNED ON DEMAND.
 IT IS ISSUED ON THE STRICT CONDITION THAT WITHOUT WRITTEN PERMISSION IT MUST NOT BE REPRODUCED, COPIED OR COMMUNICATED TO ANY THIRD PARTY NOR BE USED FOR ANY PURPOSE OTHER THAN THAT STATED IN THE PARTICULAR ENQUIRY, ORDER OR CONTRACT WITH WHICH IT IS ISSUED. THE RESERVATION OF COPYRIGHT IN THIS DOCUMENT EXTENDS FROM EACH DATE APPEARING THERE ON AND IN RESPECT OF THE SUBJECT MATTER AS IT APPEARED AT THE RELEVANT DATE.

REVISIONS	
Rev	Description

Inventor File		DO NOT SCALE - IF IN DOUBT ASK	
UNSPECIFIED TOL.s	DRAWING No.	CLIENT Central Darling Shire	
DIMENSIONS SHOWN	JOB No.	TITLE Wilcannia Plant Layout_Hazop	
TO BE	2559	DATE	25/11/2021
00 ± 1.5	DRAWN MarkN	CHECKED	SG
00.0 ± 0.5	SCALE	REVISION No.	A
00.00 ± 0.15		SHEET SIZE	

REVISIONS